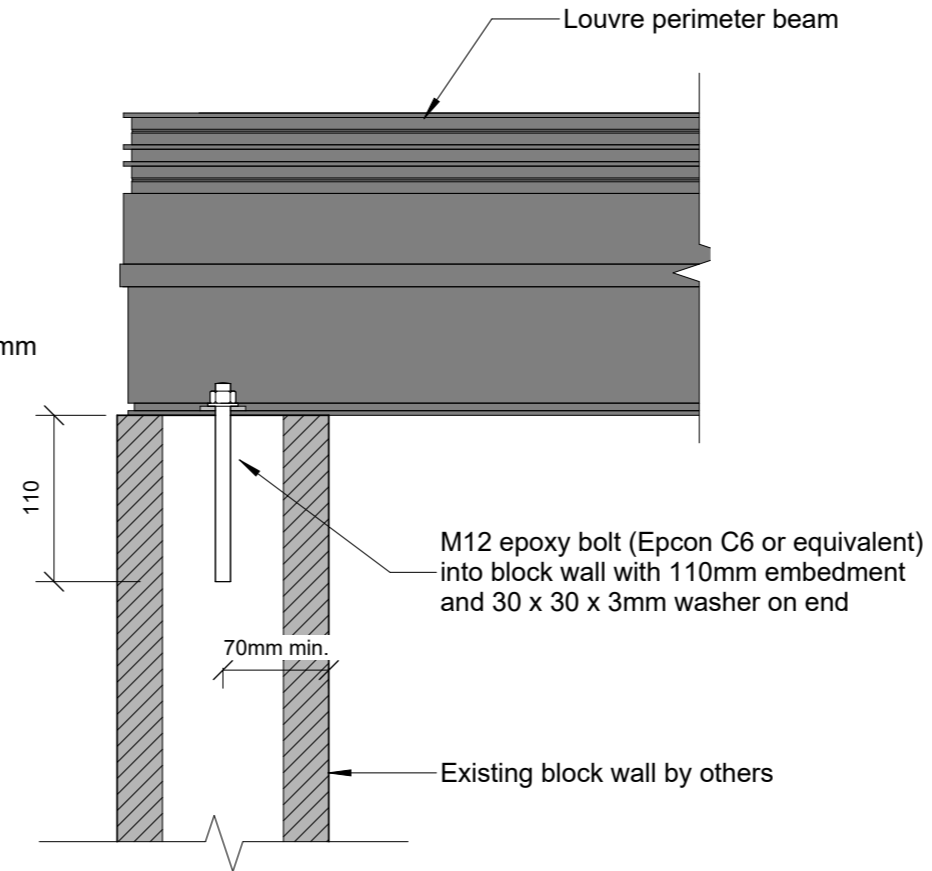
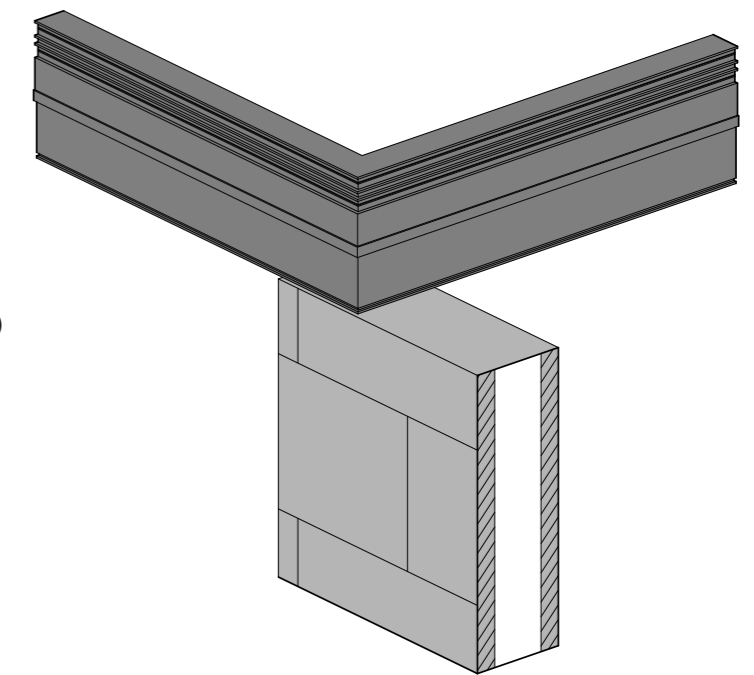


**LOUVRE TO BLOCK DETAIL**  
1:5



**LOUVRE TO BLOCK DETAIL**  
1:5



**LOUVRE TO BLOCK**

THIS DRAWING IS TO BE READ IN CONJUNCTION WITH ARCHITECT'S DRAWINGS

REV NO.	REVISION	DATE	APPROVED	PROJECT NO.	DESIGNED
1	CONSENT ISSUE	29/07/2024	SR	15227	AS
				SCALE @ A3 1:5	DRAWN IB
				REV NO. 1	SHEET NO. S4.17