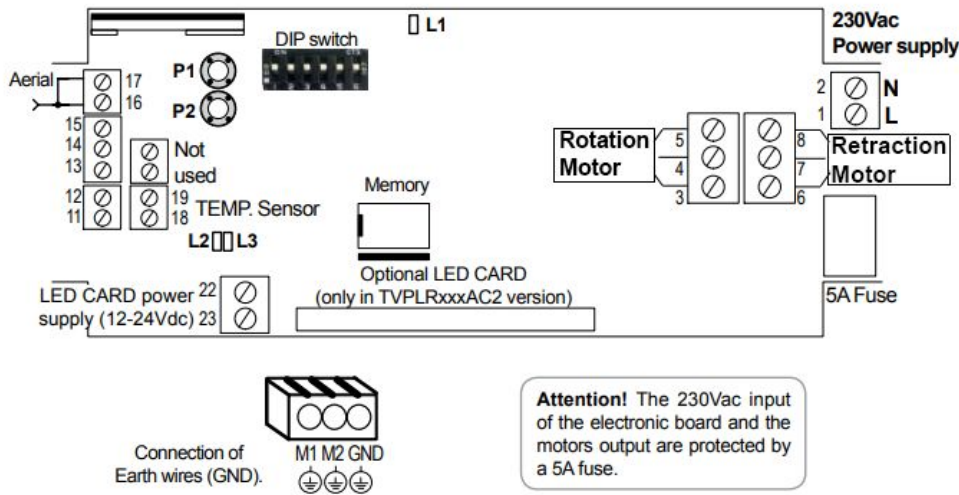


Concertina Motor Controller Setup

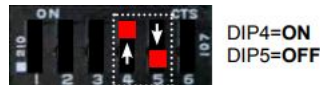


1	230Vac (line)
2	230Vac (neutral)
3	Rotation motor - open or close
4	Rotation motor - Common (neutral)
5	Rotation motor - open or close
6	Retraction motor - open or close
7	Retraction motor - Common (neutral)
8	Retraction motor - open or close
11	Not applicable
12	Not applicable
13	Not applicable
14	Not applicable
15	Not applicable
16	Not applicable
17	Not applicable
18	Not applicable
19	Not applicable
22	LED Card power supply (GND)
23	LED Card power supply (12-24Vdc)

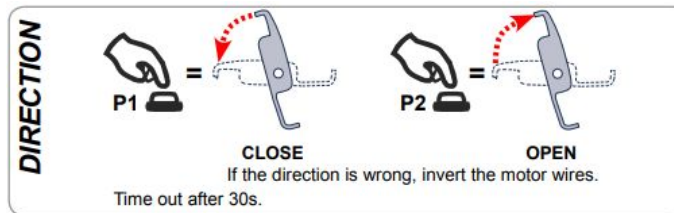
*Rotation/retraction motor open or close to be determined on site depending on orientation of motors

Setting motor limits

Set motor 1 (rotation)



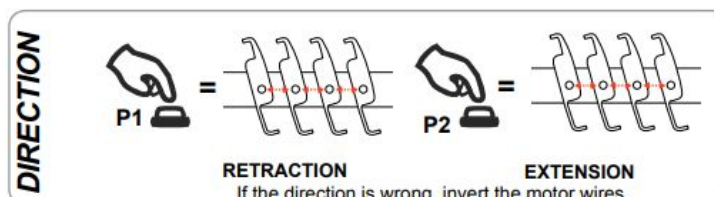
1. Set number 4 dip switch to ON position
2. Press and hold P1 & P2 together until controller beeps - the controller will continue beeping intermittently to confirm the controller is in manual mode. **Note controller times out from this mode after 30 seconds
3. Now use P1 & P2 to manually control rotation motor and set your limit switches. Ensure P1 & P2 are correctly assigned open/close as below (just like Q1/Q2 on old controller).



Set motor 2 (retraction)



1. Set number 5 dip switch to ON position
2. Press and hold P1 & P2 together - the controller will start beeping intermittently to confirm the controller is in manual mode. *Note controller times out from this mode after 30 seconds.
3. Now use P1 & P2 to manually control retraction motor and set your limit switches. Ensure P1 & P2 are correctly assigned open/close as below (just like Q3/Q4 on old controller).



Self Learn auto mode

1. Set the fins in a vertical, closed position (together at the centre)
2. Press P1 & P2 together once and then a second time (in **quick** succession) and hold down for 5 seconds until beeping starts.
3. The fins will start to close automatically and an intermittent beeping will sound which will increase in speed as it runs through its cycle. Fins will shut completely flat then rotate to the vertical position and stop - self learn complete.

Pairing in a remote

1. Press and hold P1 OR P2 down, while holding these down there will be a constant sound from the controller - then press any button on the remote (while still holding P1 & P2) - an intermittent beeping will confirm successful pairing.

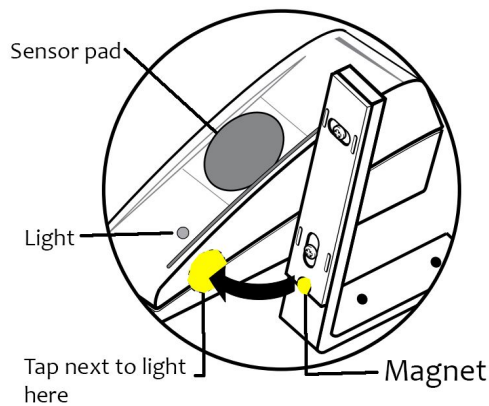
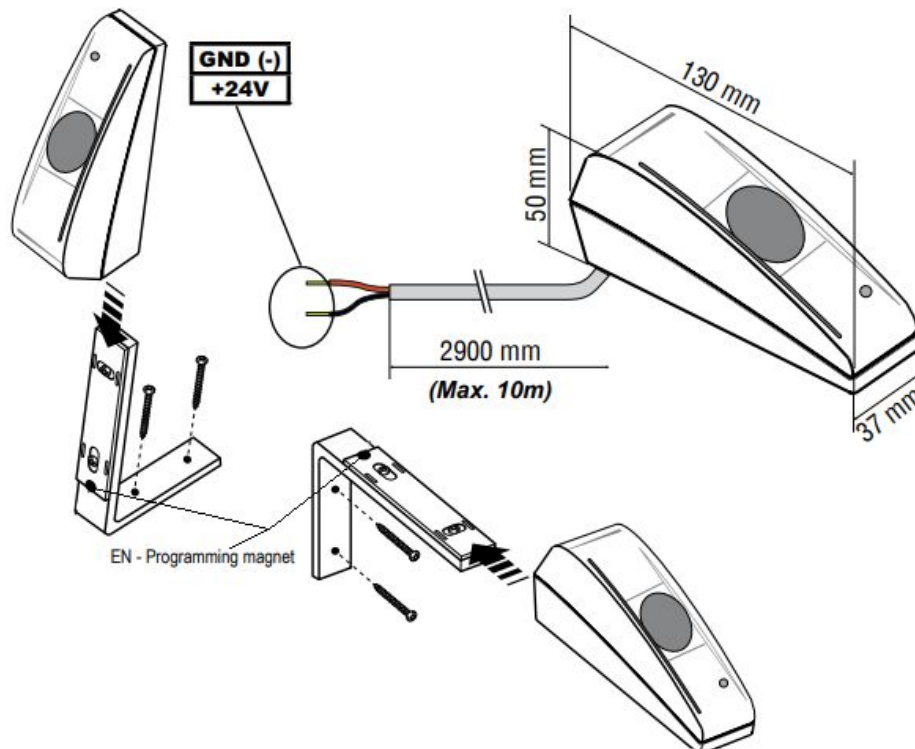
To delete a remote from the motor controller

1. Press P1 OR P2 three times and hold down on the third press.
2. While holding either button down - now press any button on the remote. A continuous sound will emit. Deletion complete.

To delete all codes from the controller (reset)

1. Press P1 or P2 four times and hold down on the 4th press for 10 seconds. The controller will emit a fast intermittent sounds. Release when the sound becomes continuous.

Rain sensor pairing for Concertina



Pairing the rain sensor:

1. Power up the rain sensor - the red light will flash intermittently
 2. Tap the magnet (located on the bracket) next to the light (as above) 15 times, **hold** it next to it on the 15th time - the light will flash red in quick succession then stop. *Note, if the rain sensor opens the louvre instead of closes, you need to re-do the 15 taps as it hasn't been done properly. Ensure the light flashes each time you tap.
 3. Press and **hold** P1 OR P2 in the Concertina motor controller - it will make a continuous sound
 4. Wet the rain sensor sensor pad with water - the controller will start intermittent beeping when pairing is successful
- *Note** - there is approx. 3 sec delay from putting water on the pad and activation - be patient.

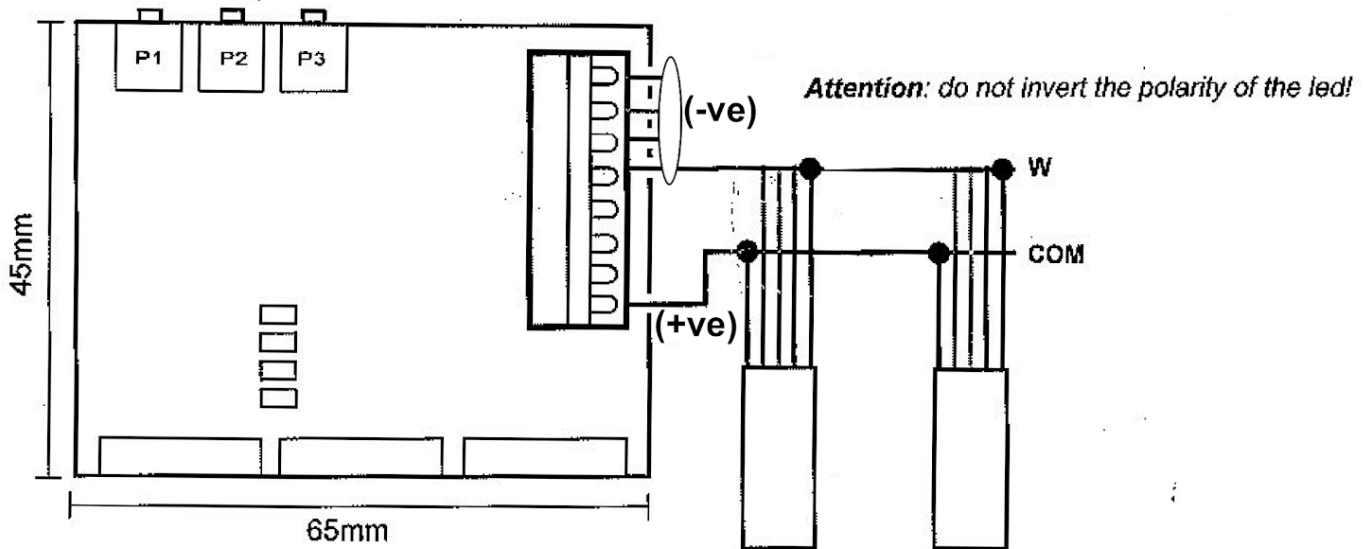
To delete the rain sensor from the motor controller:

1. Press and hold P2 twice and **hold** on the second press - there will be an intermittent beep
2. Wet the sensitivity pad and the beeping will stop. Deletion complete

There are extra heating and sensitivity functions on the rain sensor - if these are required they can be found in the instructions with the rain sensor. **Note these are a wireless unit and do not wire into the motor controller.**

Downlights for Concertina

* The Concertina uses an additional plug in lighting card. This card will power 180W (24M MAX.) RGB LED strip lighting and 60W (12) downlights. *Note the LED card requires a 24V power supply into port **22 & 23** of the main concertina controller.



Use the 'W' port of the lighting card for the negative wire on the down lights as per the above diagram

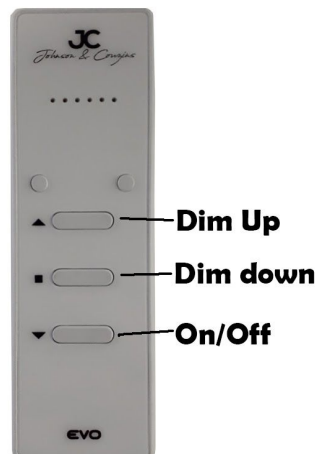
To pair the downlights in

1. Press the P1 (red) button 5 times and hold down on the fifth press - a constant sound will emit.
2. Press any button on the remote (on the channel you want your downlights) - intermittent sound confirms pairing complete.

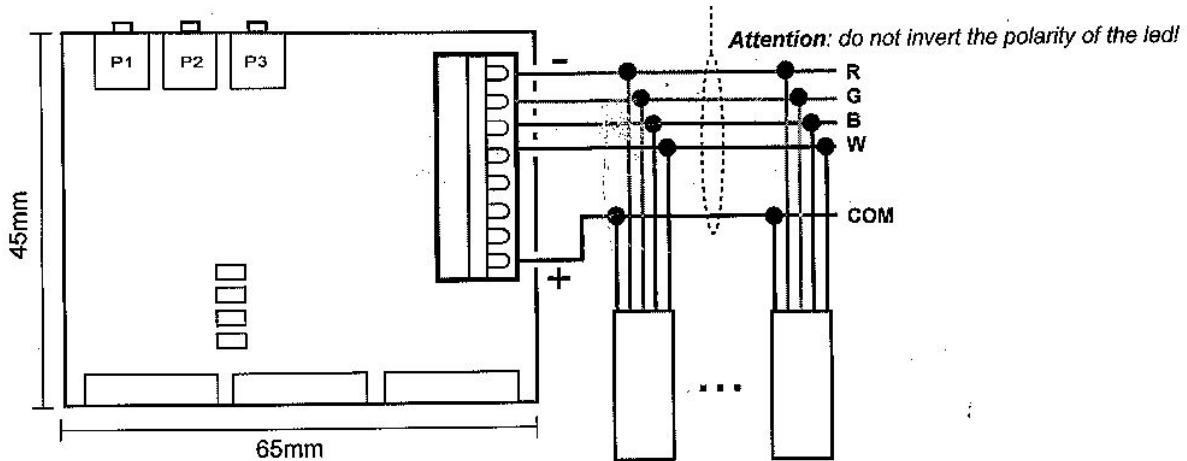
To delete downlights from the remote:

1. Press P3 (black) button twice and hold on the second time
2. Press any button on the remote (on the correct channel) - deletion complete.

Operation of downlights on remote:



RGB strip lighting for Concertina



* Each remote button needs to be manually assigned a value. These are: ON/OFF/COLOUR SELECT

Pairing the remote:

Assign ON to the 'UP' button

1. Press P2 (orange) button three times and hold down on the third time, there will be a continuous sound
2. Press 'UP' on the remote, intermittent beeping will confirm pairing complete

Assign COLOUR SELECT to the 'STOP' button

1. Press P2 (orange) button two times and hold down on the second press, there will be a continuous sound
2. Press 'STOP' on the remote, intermittent beeping will confirm pairing complete

Assign OFF to the 'DOWN' button

1. Press P2 (orange) button four times and hold down on the fourth press, there will be a continuous sound
2. Press 'DOWN' on the remote, intermittent beeping will confirm pairing complete

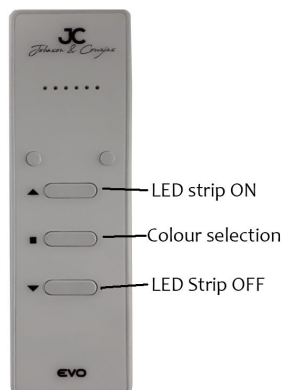
To clear LED card entirely:

1. Press P3 (black) button four times and hold on the fourth time for 10 seconds, there will be an intermittent sound then a continuous sound confirms deletion

To clear a button on the remote:

1. Press P3 (black) button on the remote two times and hold on the second time, there will be a continuous sound
2. Press the remote button you want to clear, pause then continuous sound will confirm

Operation of LED strip lighting on



remote: