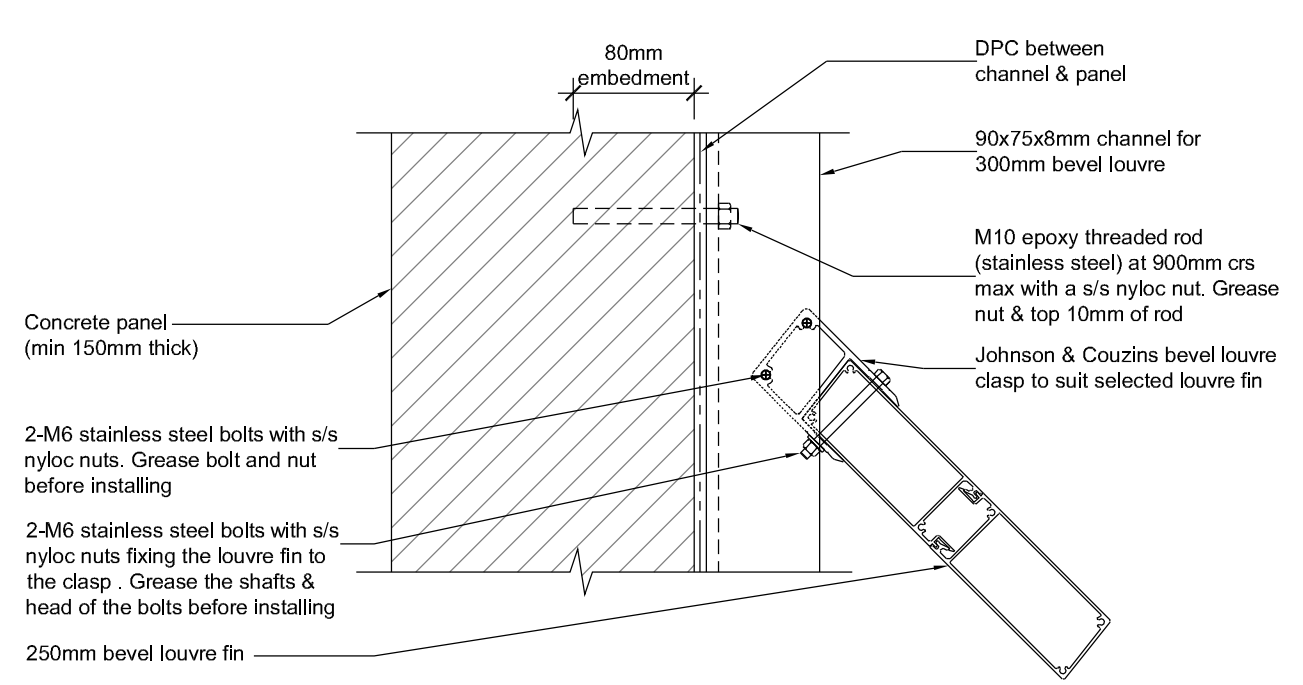
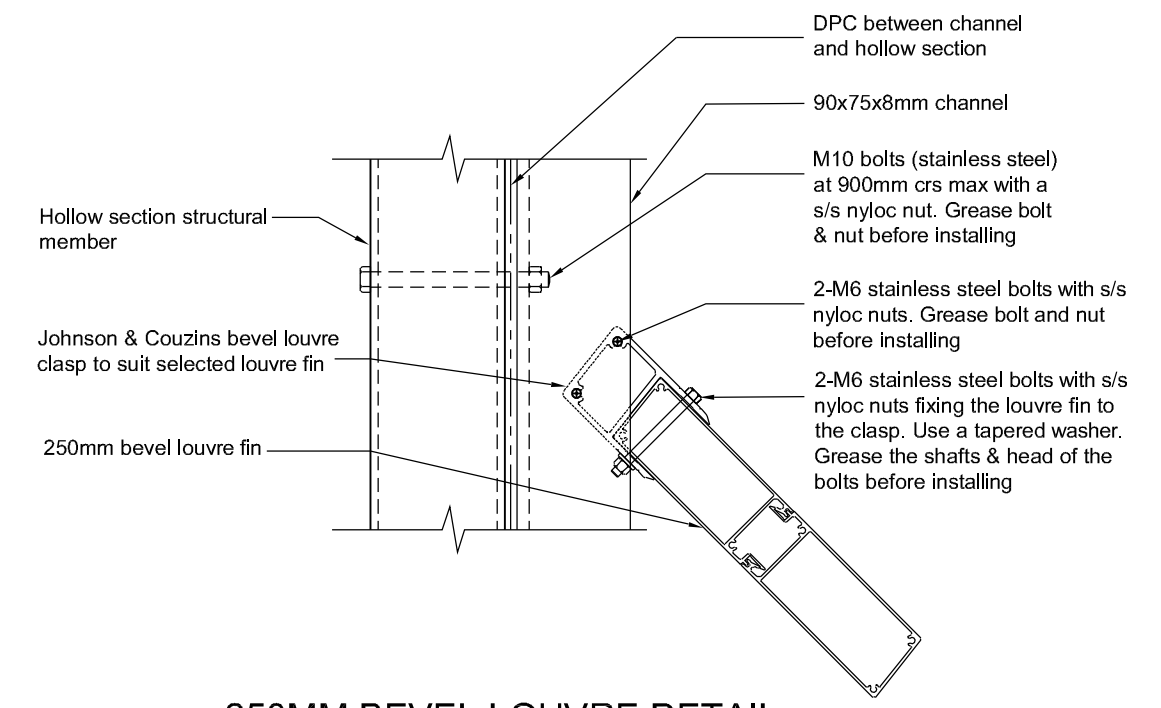


- STRUCTURAL NOTES:**
- A Structural Engineer is to confirm the supporting structure which the channels are fixed to will have sufficient capacity to support the louvres and their applied forces
 - All channels are to be fixed to the supporting structure at 900mm crs maximum
 - All channels are to be located 100mm above or below the concrete panel openings
 - All channel fixings are to miss panel reinforcing steel. To achieve this a reinforcing steel scanner shall be used while installing the louvre system
 - All channels, clasps and louvres are to be made from aluminium with a 6060 alloy and T5 temper



250MM BEVEL LOUVRE DETAIL
SCALE 1:5



250MM BEVEL LOUVRE DETAIL
SCALE 1:5

THIS DRAWING IS TO BE READ IN CONJUNCTION WITH ARCHITECT'S DRAWINGS

REV NO.	REVISION	DATE	APPROVED	PROJECT NO.	DESIGNED
		March 2017	SR	15227	NB
				SCALE @ A3	YB
				REV NO.	SHEET NO.