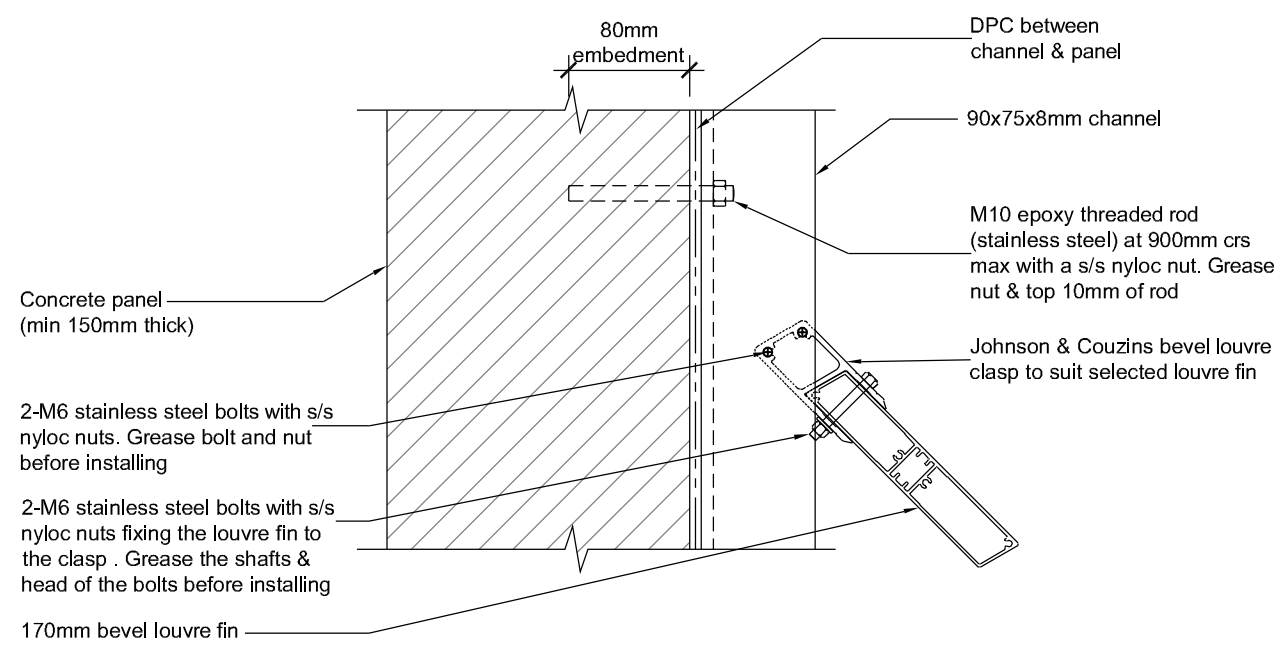
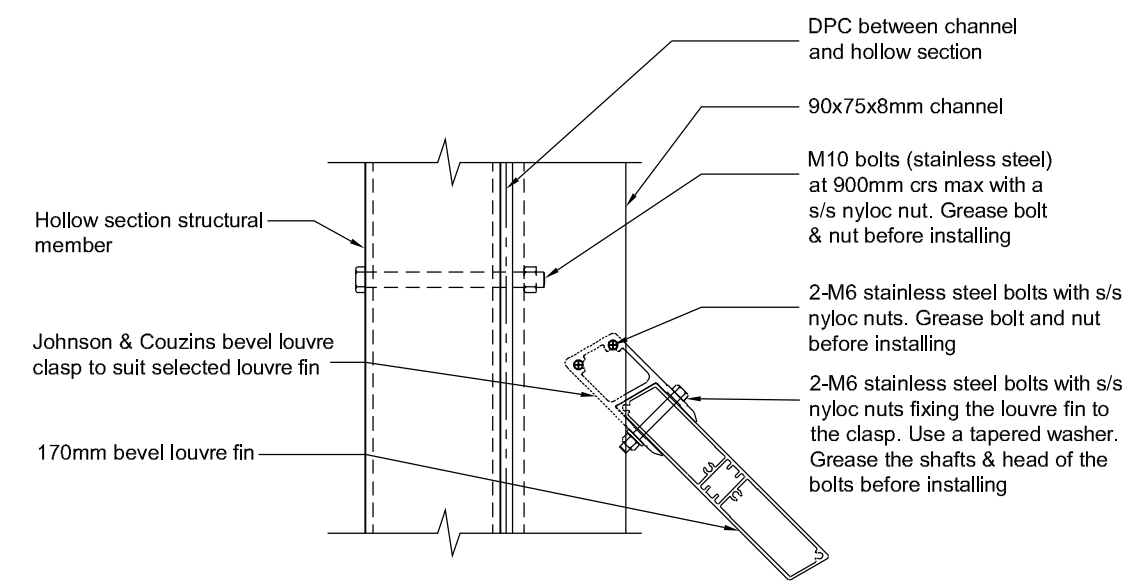


- STRUCTURAL NOTES:**
- A Structural Engineer is to confirm the supporting structure which the channels are fixed to will have sufficient capacity to support the louvres and their applied forces
 - All channels are to be fixed to the supporting structure at 900mm crs maximum
 - All channels are to be located 100mm above or below the concrete panel openings
 - All channel fixings are to miss panel reinforcing steel. To achieve this a reinforcing steel scanner shall be used while installing the louvre system
 - All channels, clasps and louvres are to be made from aluminium with a 6060 alloy and T5 temper



170MM BEVEL LOUVRE DETAIL
SCALE 1:5



170MM BEVEL LOUVRE DETAIL
SCALE 1:5

THIS DRAWING IS TO BE READ IN CONJUNCTION WITH ARCHITECT'S DRAWINGS

JC JOHNSON & COUZINS
The Name in Shade Since 1866
Phone : 0800 664 083 Website : johnsonandcouzins.co.nz

PROJECT TITLE
**JOHNSON & COUZINS
VERTICAL LOUVRE
STANDARD DETAILS**

DARWING TITLE
DETAILS

REV NO.	REVISION	DATE	APPROVED	PROJECT NO. 15227	DESIGNED NB
		March 2017	SR	SCALE @ A3	DRAWN YB
				REV NO.	SHEET NO.